



WeChat Official Account



ATUS website



HYDRAULIC MACHINERY

One-stop provider of high-quality hydraulic products

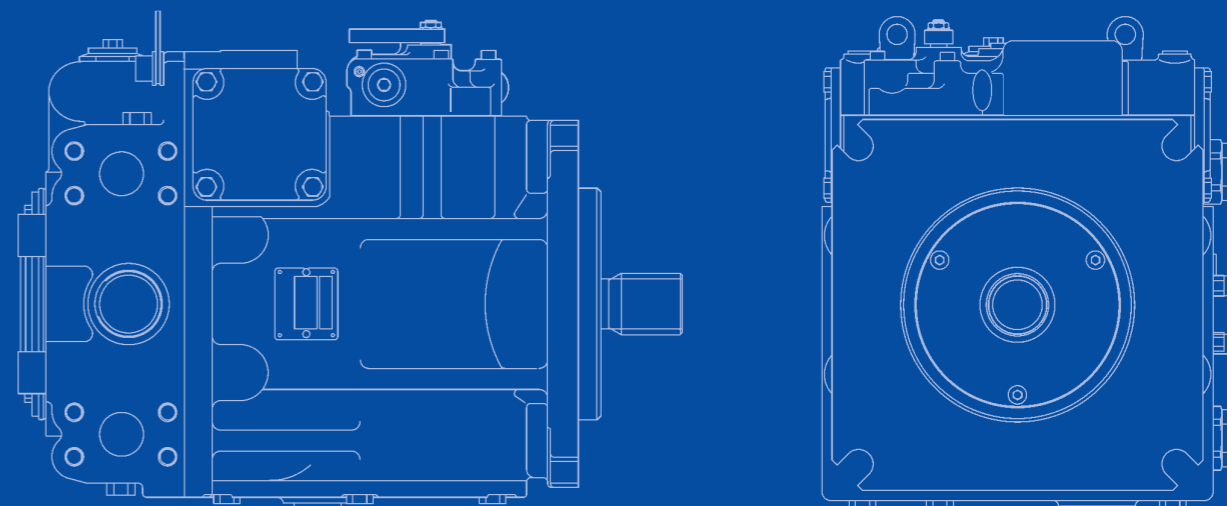
Shenzhen Aotuoshi Hydraulic Machinery Co., Ltd.

📍 Guangming District, Shenzhen, China

☎ Tel: +86-755-23197339

✉ E-mail: aotuoshi@atus.email

🌐 <https://www.ats86.com>





深圳 A厂
Shenzhen A Factory



深圳 B厂
Shenzhen B Factory



深圳 D厂
Shenzhen D Factory

Shenzhen Aotoshi Hydraulic Machinery Co., Ltd. is a comprehensive hydraulic service enterprise that specializes in research and development, manufacturing, maintenance, and sales of hydraulic pumps, motors, and valves. Our products and technology find wide applications across various industries, including mining machinery, marine machinery, construction machinery, agricultural machinery, power plant equipment, injection molding machines, die-casting machines, and steel plants. We excel in hydraulic system project upgrades, cost-effective domestic substitutions for imports, hydraulic system enhancements, and energy-efficient speed improvements. Following the concept of "nurturing innovation through talent and leading development through innovation," we consistently prioritize the development of our talent pool as the foremost priority for our company. In terms of equipment and facilities, our company possesses multiple sets of high-precision CNC machining equipment, several specialized hydraulic component production lines, product assembly lines, and comprehensive product quality inspection facilities. Our equipment is at the forefront of domestic technology, enabling CNC production processing and automated product inspection. We adhere to the guiding principle of 'technology as our compass, quality as our market advantage,' with customer needs and satisfaction as the driving goals for our company's development. We are committed to creating value for society and benefits for our customers through high-quality products and efficient after-sales service.



河源分厂
Heyuan Branch



惠州分厂
Huizhou Branch

CONTENTS

Company Profile	01	ATUS-F12 Series	26
contents	02	ATUS-KMF90 Series	27
Application areas	03	ATUS-A6V Series	28
Qualifications and honors	04	ATUS-PVP Series	29
Company display	05	ATUS-PVM Series	30
Warehouse raw materials	06	ATUS-A2F Series	31
ATUS-A6VM Series	07	ATUS-A2FO Series	32
ATUS-AA6VM Series	08	ATUS-A22VG Series	33
ATUS-A6VE Series	09	ATUS-A4VSO Series	34
ATUS-M(Quantification) Series	10	ATUS-LR/KR Series	35
ATUS-M(variable) Series	11	ATUS-ER Series	36
ATUS-P Series	12	ATUS-JR Series	37
ATUS-A10V(S)O 32 Series	13	ATUS-FR Series	38
ATUS-A10V(S)O 31 Series	14	ATUS-90 Series	39
ATUS-A10VNO Series	15	ATUS-A7VO Series	40
ATUS-A1VO Series	16	ATUS-A2FM Series	41
ATUS-PFB/PVB Series	17	ATUS-A2FE Series	42
ATUS-PD Series	18	ATUS-A11V(L)O Series	43
ATUS-PVH Series	19	ATUS-A4VG Series	44
ATUS-PVXS Series	20	ATUS-P2/P3 Series	45
ATUS-D-PV Series	21	ATUS-PAVC Series	46
ATUS-PV Series	22	ATUS-ADU Series	47
ATUS-A10VG Series	23	ATUS-9A valve Series	48
ATUS-A20VO Series	24	ATUS-300 Series Reducer	49
ATUS-F11 Series	25	ATUS-ED Series Reducer	50

Hydraulic pump application areas:



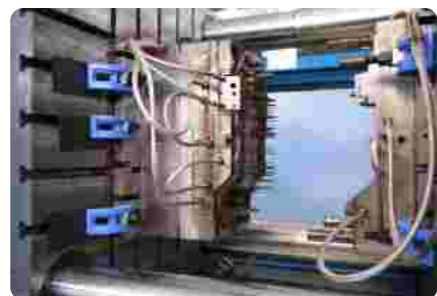
Papermaking



Military



Smelting



Forming



Pile Work



Construction



Agriculture



Ocean mining



Mining



Electricity



Ships



Pier

Enterprise qualifications and honors:



Enterprise Show:



Raw materials display in warehouse:





ATUS-A6VM Series

Axial Piston Variable Motor

Product Parameters

Size NG	28	55	80	107	140	160	200	250	355	500	1000
Displacement (cm ³ /rev)	28	55	80	107	140	160	200	250	355	500	1000
Speed (rpm)	5550	4450	3900	3550	3250	3100	2900	2700	2240	2000	1600
Nominal pressure (bar)	400						350				
Max. pressure (bar)	450						400				
Torque p=350bar (Nm)	157	305	446	596	778	891	1114	1391	1978	2785	5571
Weight(approx.) (kg)	16	26	34	47	60	64	80	100	170	210	430
Application field	Used in high-speed rotating drives, such as: rotary drilling rig power heads, traveling drives, winch drives and other engineering machinery										



Electronic instruction manual



ATUS-AA6VM Series

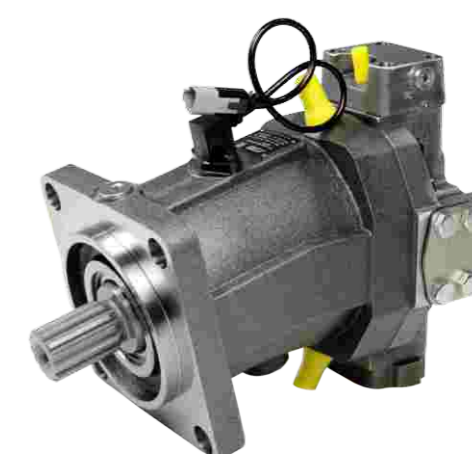
Axial Piston Variable Motor

Product Parameters

Size NG	28	55	80	107	140	160	200	250	355	500	1000
Displacement (cm ³ /rev)	28.1	54.8	80	107	140	160	200	250	355	500	1000
Speed (rpm)	5550	4450	3900	3550	3250	3100	2900	2700	2240	2000	1600
Nominal pressure (bar)	400						350				
Max. pressure (bar)	450						400				
Torque p=350bar (Nm)	179	349	509	681	891	1091	1273	1391	1978	2785	5571
Weight(approx.) (kg)	16	26	34	47	60	64	80	100	170	210	430
Application field	Used in engineering machinery, agricultural machinery, forestry machinery, mining equipment, etc., hydraulic travel, and working parts that require high-speed rotation.										



Electronic instruction manual





ATUS-A6VE Series

Plug-in Plunger Variable Motor

Product Parameters

Size NG	28	55	80	107	160	250
Displacement (cm ³ /rev)	28	55	80	107	160	250
Speed (rpm)	5550	4450	3900	3550	3100	2700
Nominal pressure (bar)	400					350
Max. pressure (bar)	450					400
Torque p=350bar (Nm)	157	305	446	596	891	1391
Weight(approx.) (kg)	16	26	34	47	64	90
Application field	Used in mining machinery, ship machinery, engineering machinery, power plant equipment, injection molding machines, steel plants, etc.					



Electronic instruction manual



ATUS-M (Quantification) Series

Axial Piston Metering Motor

Product Parameters

Size NG	6	7	11	14	24	30
Displacement (ml /rev)	98.3	118.8	180.3	229.5	403.2	501.5
Speed (rpm)	3000	3000	2400	2400	2100	1800
Torque p=350bar (Nm)	539.5	651.9	990	1250	2158	2752
Nominal pressure (bar)	350					
Max. pressure (bar)	420					
Mass (approx.) (kg)	50	50	110	110	230	270
Application field	Used in engineering machinery, specialized vehicles for oilfields, mining equipment, and other specialized mobile machinery requiring high torque.					



Electronic instruction manual





ATUS-M (variable) Series

Axial Piston Variable Motor

Product Parameters

Size NG	6	7	11	14	24	30
Displacement (ml/rev)	98.3	118.8	180.3	229.5	403.2	501.5
Speed (rpm)	3000	3000	2400	2400	2100	1800
Torque p=350bar (Nm)	539.5	651.9	990	1250	2158	2752
Nominal pressure (bar)	350					
Max. pressure (bar)	420					
Mass (approx.) (kg)	50	50	135	135	290	300
Application field	Used in drilling rig rotating power heads, ship cranes, slewing devices and other working parts that require large torque rotation					



Electronic instruction manual



ATUS-P Series

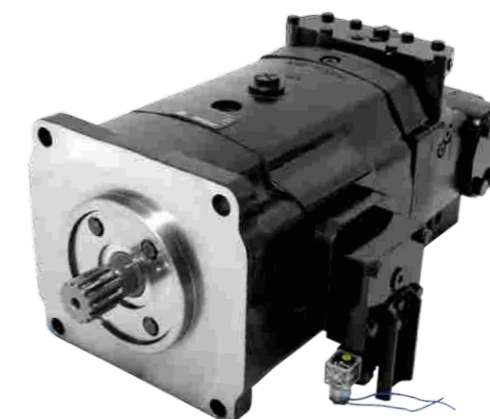
Axial Piston Variable Pump

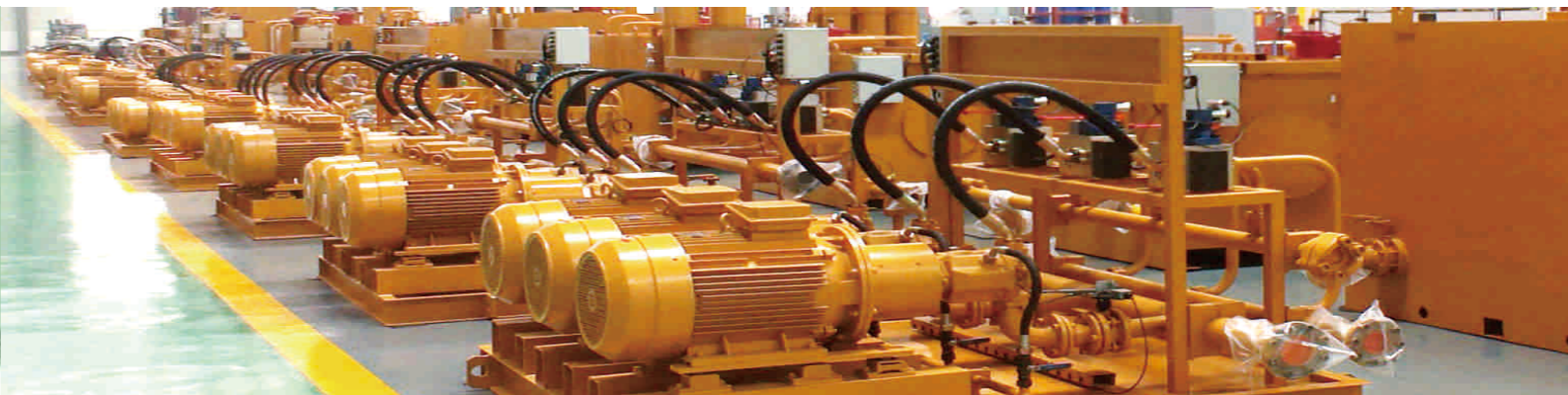
Product Parameters

Size NG	6	7	8	11	14	24	30
Displacement (cm ³ /rev)	98.3	118.8	131.1	180.3	229.5	403.2	501.5
Speed (rpm)	3000	3000	2100	2400	2400	2100	1800
Flow (L/min)	294.9	356.4	275.31	432.72	550.8	846.72	902.7
Nominal pressure (bar)	350						
Maximum pressure (bar)	420						
Weight (approx.) (kg)	80-135	80-135	80-135	145-240	145-240	340-375	340-375
Application field	Used in large hydraulic stations, such as power plants, paper mills, shipyards, etc.						



Electronic instruction manual





ATUS-A10V(S)O 32 Series

Axial Piston Variable Pump

Product Parameters

Size NG	45	71	100	140	180
Displacement (cm ³ /rev)	45	71	100	140	180
Speed (rpm)	3000	2550	2300	2200	1800
Flow (L/min)	135	181	280	308	324
Nominal pressure (bar)	280				
Max. pressure (bar)	350				
Weight(approx.) (kg)	30	47	69	73	78
Application field	Used in industrial open circuit hydraulic systems, involving industries: injection molding, smelting, chemical industry, mining...				



Electronic instruction manual



ATUS-A10V(S)O Series

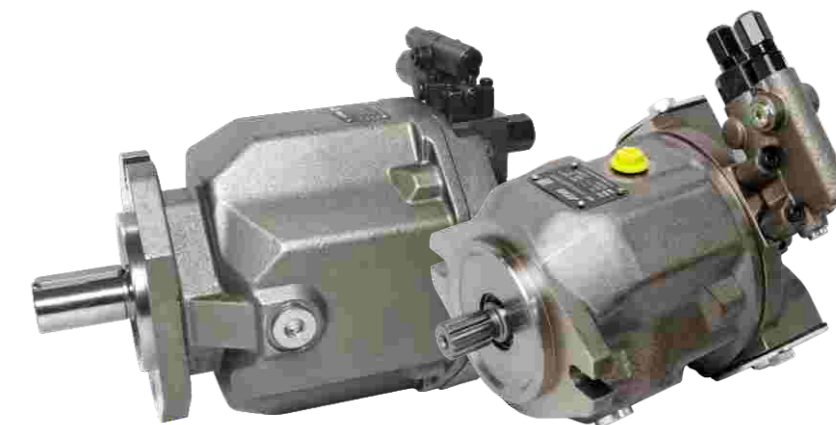
Axial Piston Variable Pump

Product Parameters

Size NG	18	28	45	71	100	140
Displacement (cm ³ /rev)	18	28	45	71	100	140
Speed (rpm)	3300	3000	2600	2200	2000	1800
Flow (L/min)	59	84	117	156	200	252
Nominal pressure (bar)	280					
Max. pressure (bar)	350					
Weight(approx.) (kg)	12	15	21	33	45	60
Application field	Used in hydraulic systems such as engineering machinery, die-casting machines, injection molding machines, chemical equipment, etc.					



Electronic instruction manual





ATUS-A10VNO Series

Axial Piston Variable Pump

Product Parameters

Size NG	28	41	63	85
Displacement (cm ³ /rev)	28	41	63	85
Speed (rpm)	3200	2900	2700	2700
Flow (L/min)	90	119	170	230
Nominal pressure (bar)	210			
Max. pressure (bar)	250			
Weight (approx.) (kg)	11.5	14	18	22
Application field	Used in agriculture, industry, forestry and other fields			



Electronic instruction manual



ATUS-A1VO Series

Axial Piston Variable Pump

Product Parameters

Size NG	35
Displacement (cm ³ /rev)	35
Speed (rpm)	3000
Flow (L/min)	105
Nominal pressure (bar)	250
Max. pressure (bar)	280
Weight (approx.) (kg)	16.9
Application field	Hydraulic systems used in agriculture and small tractors



Electronic instruction manual





ATUS-PFB/PVB Series

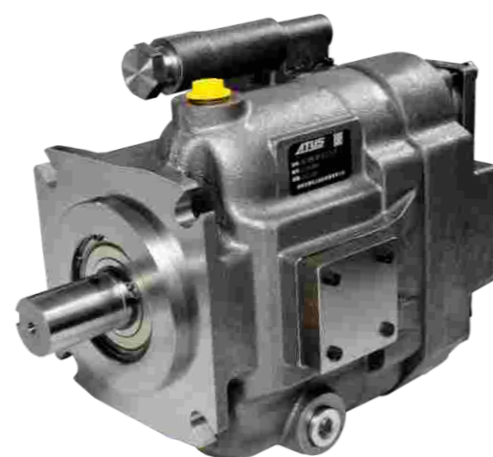
Fixed And Variable Displacement Axial Piston Pumps

Product Parameters

Size NG	5	6	10	15	20	29	45	90
Displacement (cm ³ /rev)	10.5	13.8	21.1	33.0	42.8	61.6	94.5	197.5
Speed (rpm)	1800	1800	1800	1800	1800	1800	1800	1800
Flow (L/min)	18.9	24.84	37.98	59.4	77.04	110.88	170.1	355.5
Nominal pressure (bar)	210	140	210	140	210	140	210	210
Max. pressure (bar)	280	200	280	200	280	200	280	280
Weight(approx.) (kg)	8	8	15	15	26	26	96	104
Application field	Used in engineering machinery, oil fields, ships and other machinery fields							



Electronic instruction manual



ATUS-PD Series

Medium Pressure Axial Piston Pumps

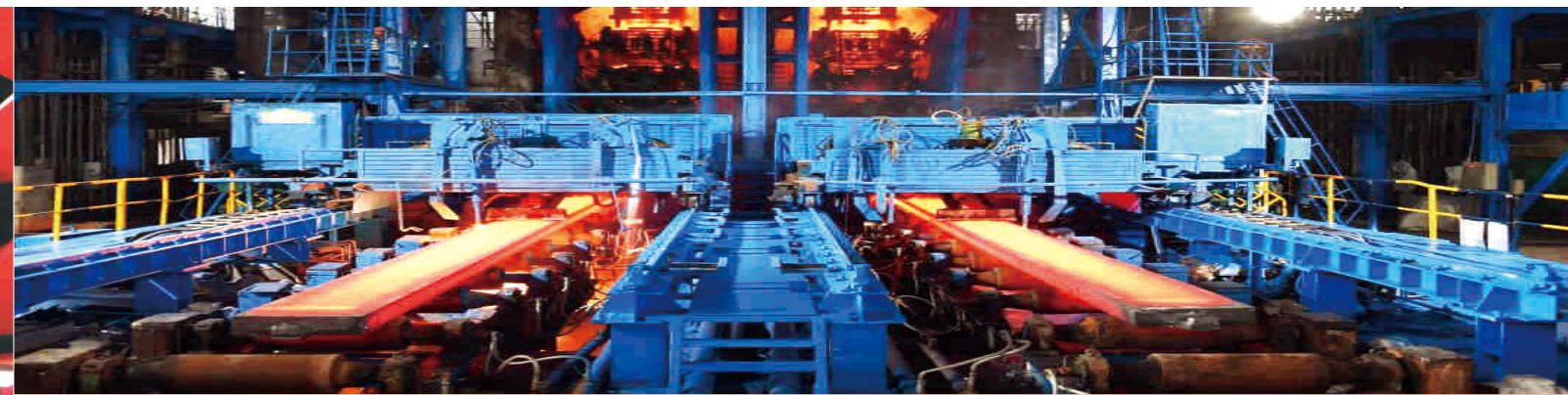
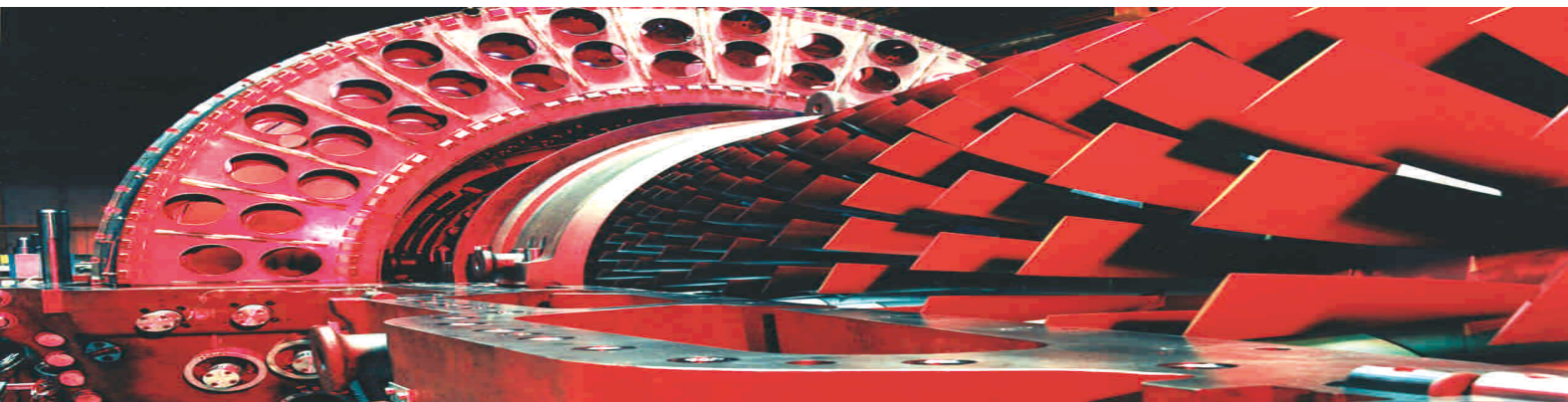
Product Parameters

Size NG	18	28	45	60	75	100	140
Displacement (cm ³ /rev)	18	28	45	60	75	100	140
Speed (rpm)	1800						
Flow (L/min)	32.4	50.4	81	108	135	180	252
Nominal pressure (bar)	280						
Max. pressure (bar)	320						
Weight(approx.) (kg)	14.2	18.1	24	30	31	53	67
Application field	Hydraulic systems used in industrial equipment and engineering equipment						



Electronic instruction manual





ATUS-PVH Series

Axial Piston Variable Pump

Product Parameters

Size NG	57	74	98	131
Displacement (cm ³ /rev)	57.4	73.7	98.3	131.1
Speed (rpm)	1800			
Flow (L/min)	98	125	170	223
Nominal pressure (bar)	250			
Max. pressure (bar)	300			
Weight (approx.) (kg)	31	42	44	62
Application field	Used in steel plants, rolling mills, heating furnaces, earthmoving machinery, construction machinery, machine tools, plastic machinery, etc.			



Electronic instruction manual



ATUS-PVXS Series

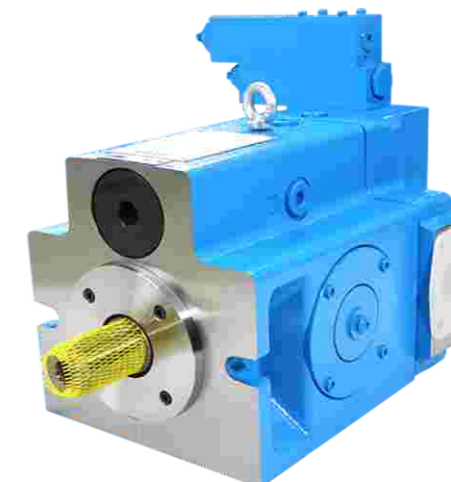
Axial Piston Variable Pump

Product Parameters

Size NG	66	90	130	180	250
Displacement (cm ³ /rev)	66	90	130	180	250
Speed (rpm)	1800				
Flow (L/min)	118	162	234	324	450
Nominal pressure (bar)	350				
Max. pressure (bar)	420				
Weight (approx.) (kg)	55	75	106	114	212
Application field	Used in industrial fields, steel plants, power plants, injection molding machines, etc.				



Electronic instruction manual





ATUS-D-PV Series

Axial Piston Variable Pump

Product Parameters

Size NG	6	10	15	20	29	38	47	64
Displacement (cm ³ /rev)	14.4	20.6	34.2	42.9	61.9	80	100	130
Speed (rpm)	3000	3000	2500	2400	2400	1800	1800	1800
Flow (L/min)	43.2	61.8	85.5	102.96	148.56	144	180	234
Nominal pressure (bar)	240	240	240	240	207	280	280	280
Max. pressure (bar)	310	310	310	310	280	300	300	300
Weight (approx.) (kg)	14	20	25	32	42	50	71	95

Application field

Used in metallurgical industry, injection molding machines, mining equipment, engineering machinery, etc.



Electronic instruction manual



ATUS-PV Series

Axial Piston Variable Pump

Product Parameters

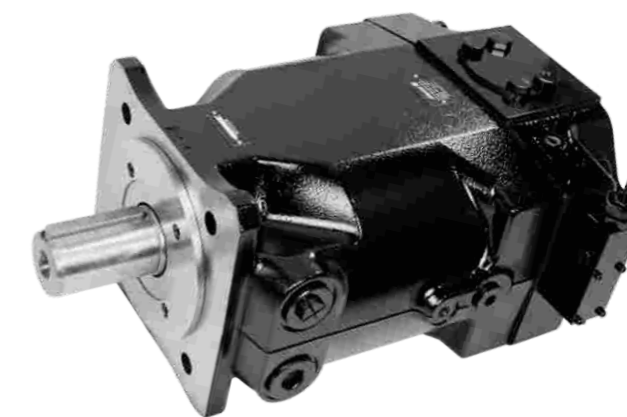
Size NG	16	20	23	28	32	40	46	63	80	92	140	180	270	360
Displacement (cm ³ /rev)	16	20	23	28	32	40	46	63	80	92	140	180	270	360
Speed (rpm)	3000	3000	3000	3000	2800	2800	2800	2800	2500	2300	2400	2200	1800	1750
Flow (L/min)	48	60	69	84	90	112	129	176	200	212	336	396	486	630
Nominal pressure (bar)	350													
Max. pressure (bar)	420													
Weight (approx.) (kg)	19	19	19	19	30	30	30	59	59	59	90	90	172	180

Application field

Used in open hydraulic systems, mainly used in the steel industry, paper industry, construction machinery, etc.



Electronic instruction manual





ATUS-A10VG Series

Axial Piston Variable Pump

Product Parameters

Size NG	18	28	45	63
Displacement (cm ³ /rev)	18	28	45	63
Speed (rpm)	4000	3900	3300	3000
Flow (L/min)	72	109	152	189
Nominal pressure (bar)	300			
Max. pressure (bar)	350			
Weight (approx.) (kg)	14	25	27	39
Application field	Used in closed systems, mainly used in agricultural machinery and construction machinery			



Electronic instruction manual



ATUS-A20VO Series

Axial Piston Variable Double Pump

Product Parameters

Size NG	60	95	190	260	520
Displacement (cm ³ /rev)	60	93.8	192.7	260	520
Speed (rpm)	2700	2350	2500	2300	1450
Flow (L/min)	2x162	2x220	2x482	2x598	2x754
Nominal pressure (bar)	250	350			
Max. pressure (bar)	315	400			
Application field	Used in hydraulic systems such as agricultural machinery, ships, and mining machinery				



Electronic instruction manual





ATUS-F12 Series

Inclined Axis Quantitative Motor

Product Parameters

Size NG	30	40	60	80	90	110	125	152	162	182	250
Displacement (cm ³ /rev)	30.0	40.0	59.8	80.4	93.0	110.1	125.0	149.8	163.1	179.8	242.0
Speed (rpm)	6700	6100	5300	4800	4600	4400	4200	3700	3700	3700	2700
Nominal pressure (bar)	420										
Max. pressure (bar)	480										
Torque p=350bar (Nm)	167	222	332	447	517	612	694	844	900	1012	1345
Mass(approx.) (kg)	11.5	15.7	18.6	25.7	25.7	33	33	40	40	40	77
Application field	Used in mechanical equipment that requires high-speed rotation, such as: hydraulic travel, high-speed cutting motors, rotary digging power heads, winches, high-frequency vibration pile hammers, etc.										

ATUS-F11 Series

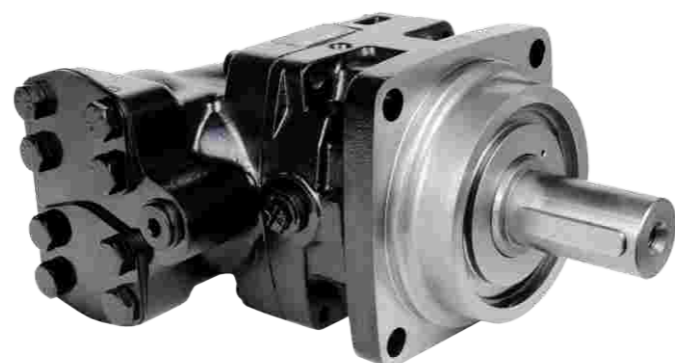
Inclined Axis Quantitative Motor

Product Parameters

Size NG	5	6	10	12	14	19
Displacement (cm ³ /rev)	4.9	6	9.8	12.5	14.3	19
Speed (rpm)	12800	10200	10200	9400	9000	8100
Nominal pressure (bar)	350					
Max. pressure (bar)	420					
Torque p=350bar (Nm)	27.3	33.25	54.6	69.3	79.45	105.7
Weight(approx.) (kg)	4.7	6.5	6.5	7.5	7.5	11
Application field	Used in high-speed rotating motors, valve wood machines, cutting equipment, walking, etc.					



Electronic instruction manual



Electronic instruction manual





ATUS-KMF90 Series

Plug-in Quantitative Motor

Product Parameters

Size NG	90
Displacement (cm ³ /rev)	90
Speed (rpm)	3000
Nominal pressure (bar)	320
Max. pressure (bar)	350
Torque p=320bar (Nm)	459
Weight(approx.) (kg)	36
Application field	Used in high-frequency vibration motors of pile drivers and various types of equipment that require high-speed rotation



Electronic instruction manual



ATUS-A6V Series

Variable Displacement Motor

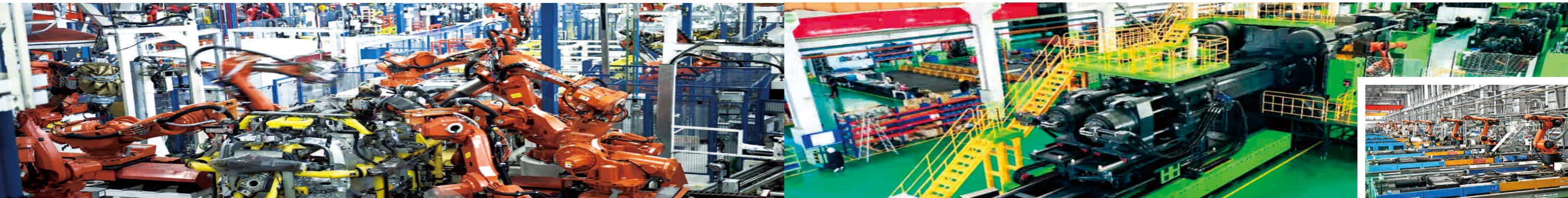
Product Parameters

Size NG	28	55	80	107	160	225	250	468
Displacement (cm ³ /rev)	28.1	54.8	80	107	160	225	250	468
Speed (rpm)	6250	5000	4500	4000	3500	3100	3100	2500
Nominal pressure (bar)	350							
Max. pressure (bar)	400							
Torque p=350bar (Nm)	156	305	445	595	890	1252	1391	2604
Mass (approx.) (kg)	18	27	39	52	74	103	103	223
Application field	Used in engineering machinery and mining equipment, such as horizontal directional drilling rigs, tunnel fully hydraulic drilling rigs, rotary drilling rigs, etc., which							



Electronic instruction manual





ATUS-PVP Series

Axial Piston Variable Pump

Product Parameters

Size NG	16	23	33	41	48	60	76	100	140
Displacement (cm ³ /rev)	16	23	33	41	48	60	76	100	140
Speed (rpm)	1800	1800	1800	1800	1800	1800	1800	1800	1800
Flow (L/min)	28.8	41.4	59.4	73.8	86.4	108	136.8	180	252
Nominal pressure (bar)	248								
Max. pressure (bar)	310								
Weight (approx.) (kg)	13.2	20.4	20.4	25	25	41	41	82	82
Application field	Machine tool forging, metallurgy, engineering, mining, shipbuilding and other mechanical fields								



Electronic instruction manual



ATUS-PVM Series

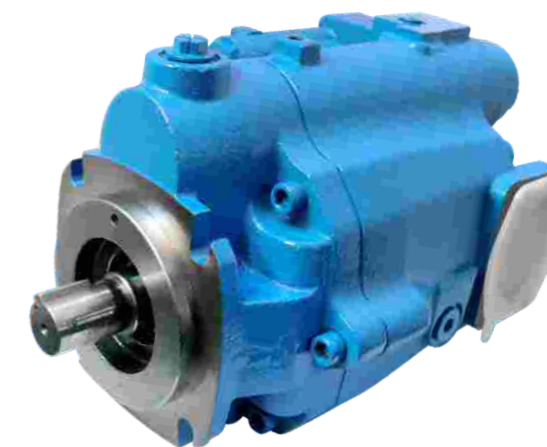
Axial Piston Variable Pump

Product Parameters

Size NG	18	20	45	50	57	63	74	81	98	106	131	141
Displacement (cm ³ /rev)	18	21.1	45.1	50	57.4	63.1	73.7	81	98.3	107	131	141
Speed (rpm)	2800	2800	2600	2600	2500	2500	2400	2400	2200	2200	2000	2000
Flow (L/min)	42	52	115	125	140	159	174	185	217	234	253	258
Nominal pressure (bar)	280	230	280	230	280	230	280	230	280	230	280	230
Max. pressure (bar)	320	250	320	250	320	250	320	250	320	250	320	250
Weight (approx.) (kg)	15	15	24	24	36	36	45	45	55	55	66	66
Application field	Used in large injection molding machines, metallurgy, ports and other industries											



Electronic instruction manual





ATUS-A2F Series

Fixed Displacement Pump/ Motor

Product Parameters

Size NG	10	12	23	28	45	55	63	80	107	125	160	200	250	355	500
Displacement (cm ³ /rev)	9.6	12	23	28	44	55	63	80	107	125	160	200	250	355	500
Speed (rpm)	7500	6000	5600	4750	4500	3750	4000	3350	3000	3150	3650	2500	2500	2240	2000
Nominal pressure (bar)	350														
Max. pressure (bar)	400														
Torque p=350bar (Nm)	52	65	126	156	247	305	351	445	595	696	890	1113	1391	1976	2783
Mass(approx.) (kg)	5	5	12	12	23	23	33	33	44	63	63	63	88	138	185
Application field	It is often used in the slewing hydraulic system of cranes and winch hydraulic systems in engineering equipment. It is used in high-speed mixing, conveyor belt drives, fans, etc. in industrial equipment.														

ATUS-A2FO Series

Axial Piston Fixed Pump

Product Parameters

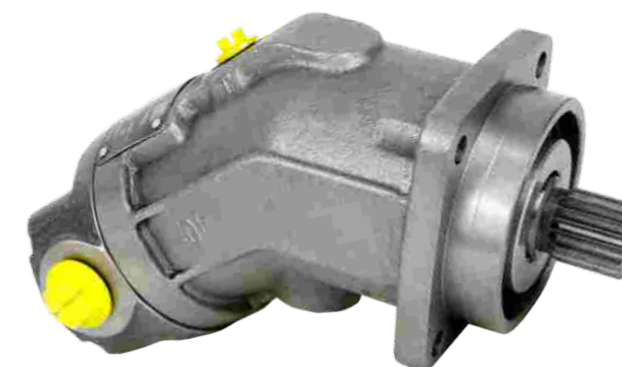
Size NG	5	10	12	16	23	28	32	45	56	63	80	90	107	125	160	180	200	250	355	
Displacement (cm ³ /rev)	4.93	10.3	12	16	22.9	28.1	32	45.6	56.1	63	80.4	90	107	125	160	180	200	250	355	
Speed (rpm)	5600	3150	3150	3150	2500	2500	2500	2240	2000	2000	1800	1800	1600	1600	1450	1450	1550	1500	1320	
Nominal pressure (bar)	315			400												350				
Max. pressure (bar)	350			450												400				
Flow (L/min)	27.6	32	38	50	57	70	80	102	112	126	145	162	171	200	233	261	310	375	469	
Mass(approx.) (kg)	2.5	6	6	6	9.5	9.5	9.5	14	18	18	23	23	32	32	45	45	66	73	110	
Application field	Used in industrial and factory automation, mobile machinery, and renewable energy, such as the steel industry, ships and offshore drilling platforms.																			



Electronic instruction manual



Electronic instruction manual





ATUS-A22VG Series

Axial Piston Variable Pump

Product Parameters

Size NG	45
Displacement (cm ³ /rev)	46
Speed (rpm)	3800
Nominal pressure (bar)	350
Max. pressure (bar)	420
Torque p=400bar (Nm)	512
Mass(approx.) (kg)	55

Application field

The double-cylinder plunger variable pump has a compact structure and is used in closed hydraulic systems and in small construction machinery, agricultural machinery, and logging machinery.



Electronic instruction manual



ATUS-A4VSO Series

Axial Piston Variable Pump

Product Parameters

Size NG	40	71	125	180	250	355	500	750	1000
Displacement (cm ³ /rev)	40	71	125	180	250	355	500	750	1000
Speed (rpm)	2600	2200	1800	1800	1500	1500	1320	1200	1000
Flow (L/min)	104	156	225	324	375	533	660	900	1000
Nominal pressure (bar)	350								
Max. pressure (bar)	400								
Weight (approx.) (kg)	39	53	88	102	184	207	320	460	605

Application field

Used in open hydraulic systems, mainly used in the steel industry, paper industry, construction machinery, etc.



Electronic instruction manual





ATUS-LR/KR Series

Axial Piston Variable Pump

Product Parameters

Size NG	L25C	L30D	K38C	K45D
Displacement (cm ³ /rev)	25	30	38	45
Speed (rpm)	3200	3200	2650	2650
Nominal pressure (bar)	260	210	260	210
Max. pressure (bar)	350	300	350	300
Flow (L/min)	80	96	100.7	119.3
Mass (approx.) (kg)	19			
Application field	Used in lifting and handling machinery, forestry and agricultural machinery, mining equipment, small construction machinery and other hydraulic systems.			



Electronic instruction manual



ATUS-ER Series

Axial Piston Variable Pump

Product Parameters

Size NG	E100B	E130B	E147C
Displacement (cm ³ /rev)	90	130	147
Speed (rpm)	2450	2200	2100
Nominal pressure (bar)	310	310	260
Max. pressure (bar)	400	400	350
Flow (L/min)	245	286	308.7
Mass (approx.) (kg)	51.3		
Application field	Applied to paving machinery, such as: road rollers, asphalt pavers, dump trucks, etc.		



Electronic instruction manual





ATUS-JR Series

Axial Piston Variable Pump

Product Parameters

Size NG	J45B	J51B	J60B	J65C	J75C
Displacement (cm ³ /rev)	45	51	60	65	75
Speed (rpm)	2900	2700	2600	2500	2400
Nominal pressure (bar)	310		260		
Max. pressure (bar)	400		350		
Flow (L/min)	126	137.7	156	162.6	180
Mass (approx.) (kg)	23.1				
Application field	Used in agricultural machinery, sanitation vehicles, etc., such as: harvesters, mowers, tractors, sweepers...				

ATUS-FR Series

Axial Piston Variable Pump

Product Parameters

Size NG	F74B	F90C
Displacement (cm ³ /rev)	74	90
Speed (rpm)	2400	2200
Nominal pressure (bar)	310	260
Max. pressure (bar)	400	350
Flow (L/min)	177.6	198
Mass (approx.) (kg)	29.5	
Application field	Used in scraper machinery, such as: loaders, bulldozers, graders.	



Electronic instruction manual



Electronic instruction manual





ATUS-90 Series

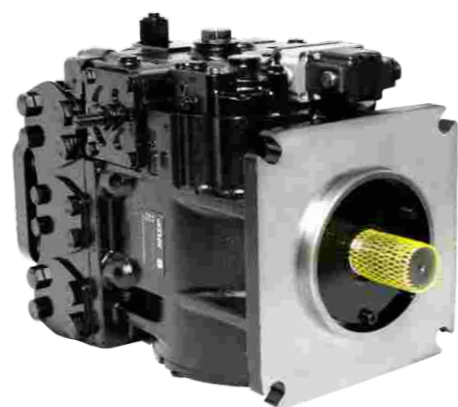
Axial Piston Variable Pump

Product Parameters

Size NG	42	50	75	100	130	180	250
Displacement (cm ³ /rev)	42	50	75	100	130	180	250
Speed (rpm)	4200	3900	3600	3300	3100	2600	2300
Flow (L/min)	176	215	270	330	403	468	575
Nominal pressure (bar)	420						
Max. pressure (bar)	480						
Mass (approx.) (kg)	34	40	49	68	88	136	154
Application field	Used in closed hydraulic systems of agricultural machinery and construction machinery, such as: rotary tillers, corn harvesters, mixer trucks, concrete pump trucks, etc.						



Electronic instruction manual



ATUS-A7VO Series

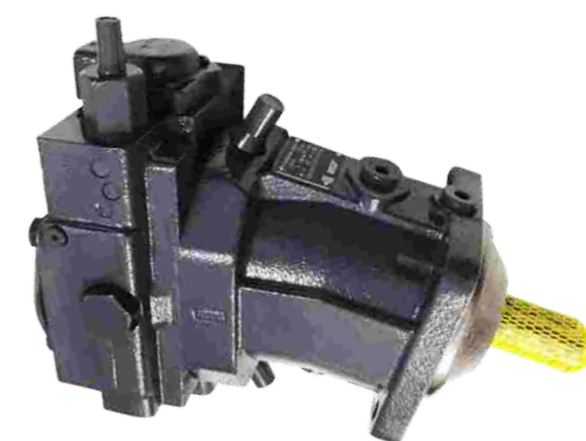
Axial Piston Variable Pump

Product Parameters

Size NG	28	55	80	107	160	250	355	500
Displacement (cm ³ /rev)	28.1	54.8	80	107	160	250	255	500
Speed (rpm)	3150	2500	2240	2150	1900	1500	1320	1200
Nominal pressure (bar)	350							
Max. pressure (bar)	400							
Flow (L/min)	89	137	179	230	304	364	455	582
Mass (approx.) (kg)	17	25	40	49	71	102	173	234
Application field	Used in various hydraulic systems and engineering equipment to provide hydraulic capability and control. It is suitable for a variety of industrial applications and equipment, including but not limited to the following areas: construction engineering, agricultural machinery, industrial machinery, excavation and mining, marine engineering.							



Electronic instruction manual





ATUS-A2FM Series

Axial Piston Fixed Motor

Product Parameters

Size NG	10	12	16	23	28	32	45	56	63	80	90	107	125	160	180	200	250	355
Displacement (cm ³ /rev)	10	12	16	23	28	32	45	56	63	80	90	107	125	160	180	200	250	355
Speed (rpm)	8000	8000	8000	6300	6300	6300	5600	5000	5000	4500	4500	4000	4000	3600	3600	2750	2700	2240
Nominal pressure (bar)	400																350	
Max. pressure (bar)	450																400	
Torque p=350bar (Nm)	57	67	89	128	157	178	254	313	351	448	501	594	696	893	1003	1114	1393	1978
Weight(approx.)(kg)	5.4	5.4	5.4	9.5	9.5	9.5	14	18	18	23	23	32	32	45	45	66	73	110

Application field

Rotary execution units used in various mechanical equipment, such as: rotary, winch, walking, rotating power heads



Electronic instruction manual



ATUS-A2FE Series

Plunger Quantitative Insertion Motor

Product Parameters

Size NG	28	32	45	56	63	80	90	107	125	160	180	250	355
Displacement (cm ³ /rev)	28	32	45	56	63	80	90	107	125	160	180	250	355
Speed (rpm)	6300	6300	5600	5000	5000	4500	4500	4000	4000	3600	3600	2700	2240
Nominal pressure (bar)	400												350
Max. pressure (bar)	450												400
Torque p=350bar (Nm)	157	178	254	313	351	448	501	594	696	893	1003	1393	1978
Weight(approx.)(kg)	10.5	10.5	15	18	19	23	25	34	36	47	48	82	110

Application field

Used in various rotating machinery and equipment, such as: rotation, winch, walking, etc.



Electronic instruction manual





ATUS-A11V(L)O Series

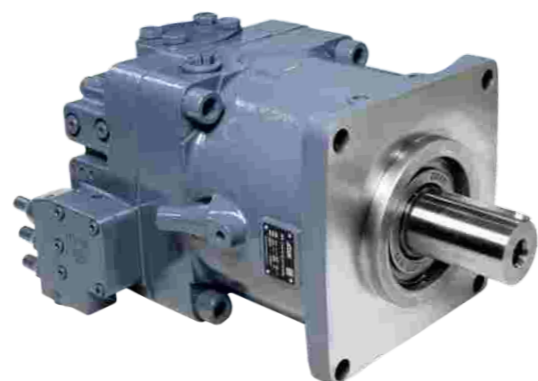
Axial Piston Variable Pump

Product Parameters

Size NG	ATUS-A11VO								ATUS-A11VLO			
	40	60	75	95	130	145	190	260	130	145	190	260
Displacement (cm ³ /rev)	42	58.5	74	93.5	130	145	193	260	130	145	193	260
Speed (rpm)	3000	2700	2550	2350	2100	2200	2100	1800	2500	2500	2500	2300
Flow (L/min)	126	158	189	220	273	319	405	468	325	363	483	598
Nominal pressure (bar)	350											
Maxi. pressure (bar)	400											
Weight (approx.) (kg)	32	40	45	53	66	76	95	125	72	73	104	138
Application field	Used in hydraulic systems of mining machinery, engineering machinery, ships and other equipment											



Electronic instruction manual



ATUS-A4VG Series

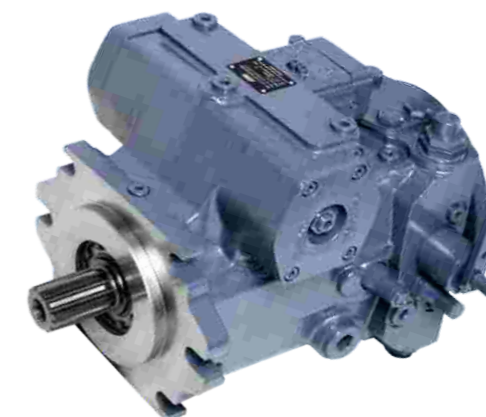
Axial Piston Variable Pump

Product Parameters

Size NG	28	40	56	71	90	125	180	250
Displacement (cm ³ /rev)	28	40	56	71	90	125	180	250
Speed (rpm)	4250	4000	3600	3300	3050	2850	2500	2400
Flow (L/min)	119	160	201.6	234.3	274.5	356.25	450	600
Nominal pressure (bar)	400							
Max. pressure (bar)	450							
Weight (approx.) (kg)	29	31	38	50	60	80	101	156
Application field	Used in engineering machinery, agricultural machinery, mining machinery, and used in closed systems to provide hydraulic energy for rotating parts, etc.							



Electronic instruction manual





ATUS-P2/P3 Series

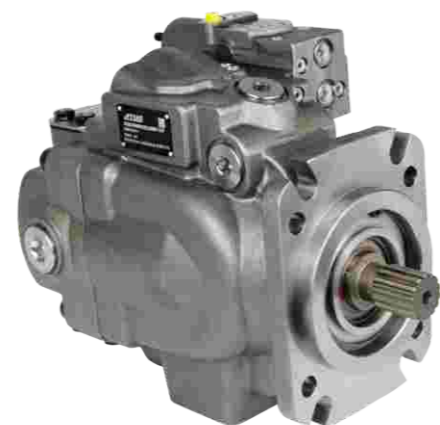
Axial Piston Variable Pump

Product Parameters

Size NG	ATUS-P2				ATUS-P3	
	P2060	P2075	P2105	P2145	P3105	P3145
Displacement (cm ³ /rev)	60	75	105	145	105	145
Speed (rpm)	2800	2500	2300	2200	2600	2500
Flow (L/min)	168	187.5	241.5	319	273	362.5
Nominal pressure (bar)	320					
Max. pressure (bar)	370					
Mass (approx.) (kg)	37	44	63	78	62	76
Application field	Hydraulic systems used on special vehicles, involving oil field equipment, mining equipment, and industrial handling equipment.					



Electronic instruction manual



ATUS-PAVC Series

Axial Piston Variable Pump

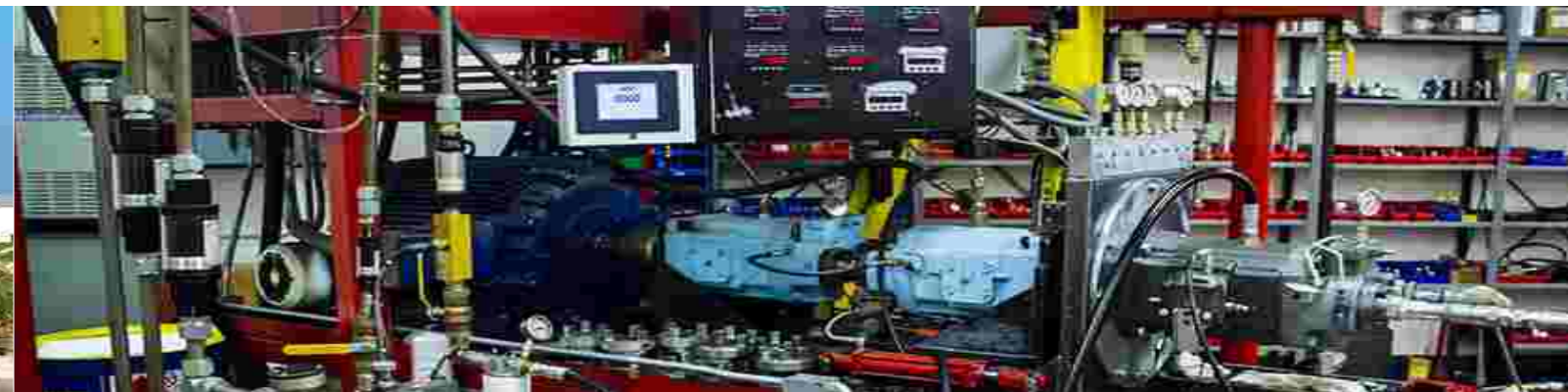
Product Parameters

Size NG	33	38	65	100
Displacement (cm ³ /rev)	33	38	65	100
Speed (rpm)	1800	1800	1800	1800
Flow (L/min)	59.4	68.4	117	180
Nominal pressure (bar)	207			
Max. pressure (bar)	248			
Weight (approx.) (kg)	18	18	28	50
Application field	Used in injection molding machines, engineering machinery, metallurgy, plastic machinery, papermaking and other industrial fields			



Electronic instruction manual





ATUS-ADU Series

Axial Piston Variable Pump

Product Parameters

Size NG	41	49	62
Displacement (cm ³ /rev)	41.0	49.2	62.3
Speed (rpm)	2650	2650	2600
Nominal pressure (bar)	280		
Max. pressure (bar)	350		
Flow (L/min)	104	126	156
Mass (approx.) (kg)	21	21	22
Application field	It is often used as the main pump in small and medium-sized equipment, such as agricultural tractors, backhoe loaders, trenchers, etc.; it is used as an auxiliary pump or other functional pump in large machinery, such as: mining machinery, logging machines, cranes, etc.		



Electronic instruction manual



ATUS-9A valve

Electro-hydraulic Proportional Variable Control

Product Parameters

Response time	0.9S
	1.5S
	1.8S
Required servo control pressure	14 - 70bar(200 - 1000psi) , 28bar(400psi)
Solenoid resistance	41 Ω (24V) & 10 Ω (12V)
Applicable fluid type	All types of fluids
Electrical plug	DIN 43650 AF , 16 - 01008 - 8



Electronic instruction manual





ATUS-300 Series reducer

Planetary Drive

Product Parameters

Size NG	309	310	311
Gear ratio (i)	3.4 ~ 2400	4 ~ 2500	4 ~ 2100
Output torque (Nm)	1000 ~ 18000	1000 ~ 25000	1000 ~ 40000
Application field	Combined with high-speed hydraulic motors, used in equipment that requires high torque and low speed, such as rotary drilling power heads, rotary tables, crushing stations, etc		

ATUS-ED Series reducer

Planetary Drive

Product Parameters

Size NG	2250
Gear ratio (i)	14.14 ~ 36
Output torque (Nm)	9056 ~ 35000
Application field	Combined with high-speed hydraulic motors, used in equipment that requires high torque and low speed, such as rotary drilling power heads, rotary tables, crushing stations, etc



Electronic instruction manual



Electronic instruction manual

